



190-831-190 45" Snow Thrower (1992)  
45" Snow Thrower Attachment

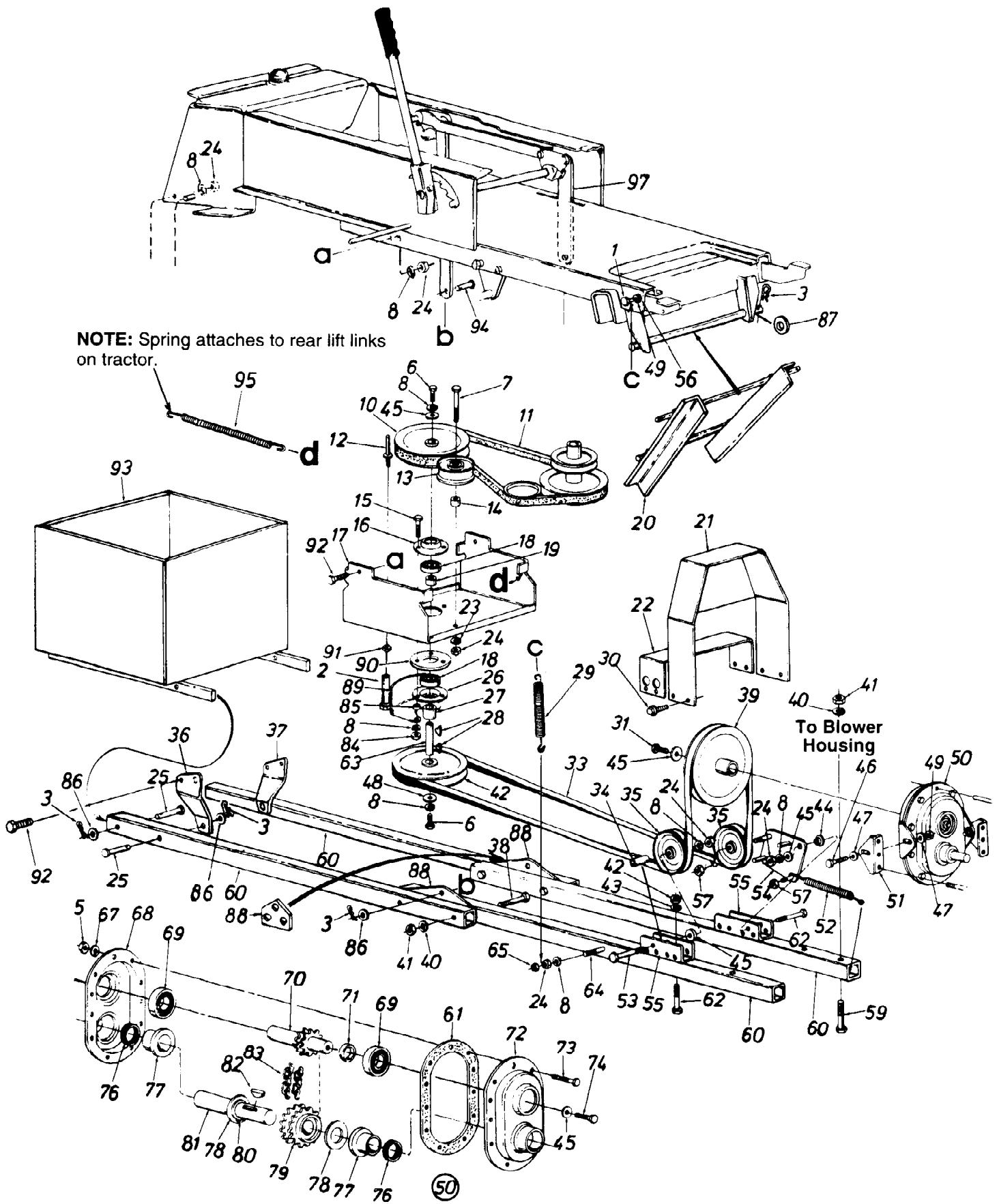
Page 2 of 6

Ref #	Part Number	Qty	S/P/F	Description
1	714-0507	1	S	Cotter Pin 3/32" x .75"
2	736-0140	1	S	FI-Wash. .385" I.D. x .62" O.D. x .06"
3	741-0475	1	S	Plastic Bushing .380" I.D.
4	736-0140	1	S	FI-Wash. .385" I.D. x .62" O.D. x .06"
5	05983	1		Chute Crank Ass'y.
6	741-0475	1	S	Plastic Bushing .38" I.D.
7	720-0171	1	S	Knob - Black
8	726-0100	1	S	Cap Speed Nut 3/8" Rod
9	715-0138	1	S	Spring Pin
10	749-0230	1		Chute Crank Supporting Tube
11	747-0416	1	S	Eyebolt Chute Crank Support
12	712-0267	1	S/F	Hex Nut 5/16-18 Thd.
13	736-0242	1	/P	Bell-Wash. .345" I.D. x .88" O.D. x .06"
14	711-0640	1	S	Belt Keeper Studs 3/8-16 x 2.75"
?15	736-0105	1	/P	Bell-Wash. .4" I.D. x .88" O.D. x .06"
16	710-0191	1	/P	Hex Scr. 3/8-24 x 1.25 Lg.
18	732-0118	1	S	Extension Spring
19	712-0138	1	S	Hex Nut 1/4-28 Thd.
20	736-0270	1	/P	Bell-Wash. .25" I.D. x .88" O.D. x .062"
21	784-5076	1	S	Gear Hsg. Support Brkt.
22	784-5036	1		45" Snow Thrower Hsg. Ass'y.
23	736-0119	1	S/F	L-Wash. 5/16" I.D.
24	712-0342	1	/P	Hex Jam Nut 3/8-16 Thd.
25	784-5038A	1	S	Reversible Slide Shoe
26	736-0105	1	/P	Bell-Wash. .4" I.D. x .88" O.D. x .06"
28	710-0790	1	S	Carr. Bolt 3/8-16 x .62" Lg.
30	738-0679	1		Blower Axle 14.75" Lg.
31	715-0118	1	S	Spr. Spiral Pin - H.D.
32	784-5145	1	S	Blower Fan Ass'y.
33	716-0111	1	/P	Snap Ring for .875" Dia. Shaft
34	714-0135	1	S	#91 Woodruff Key 1/4" x 3/4" Dia.
35	737-0175	1		Plastic Vented Plug 1/4-18 Pipe Thd.
36	717-0297	1	S	Gear Hsg. Half - L.H.
37	736-0271	1	S	Shakeproof Spr. Wash.
38	712-0429	1	S	Hex Ins. L-Nut 5/16-18 Thd.
?39	714-0135	1	S	#91 Woodruff Key 1/4" x 3/4" Dia.
40	05608	1	S	Spiral Ass'y. - R.H. (Not shown)
	05609	1	S	Spiral Ass'y. - L.H.
41	712-0429	1	S	Hex Ins. L-Nut 5/16-18 Thd.
42	741-0494	1		Flange Bearing
43	741-0192	1		Flange Bearing w/ Flats
44	05845	1	S	Bearing Housing
45	710-0198	1	S	Hex Sems Bolt 5/16-18 x .75" Lg.
46	736-0250	1	/P	FI-Wash.
47	738-0492	1		Spiral Axle
48	741-0182	1		Flange Bearing
49	710-0891	1	/P	Shear Bolt 5/16-18 x 1.75
50	721-0146	1	S	Oil Seal 1.5" I.D. Garlock
51	736-0266	1	S	FI-Wash. 1.5" I.D. x 2" O.D. x .03"
52	738-0275	1		Worm Gear Shaft
53	717-0300	1	S	Worm Wheel - L.H. Double Thd.
54	741-0184	1		Thrust Brg. .88" I.D. x 1.44" O.D. x .078"
55	736-0291	1		Thrust Brg. .88" I.D. x 1.4" O.D. x .125"

190-831-190 45" Snow Thrower (1992)  
45" Snow Thrower Attachment

Page 3 of 6

Ref #	Part Number	Qty	S/P/F	Description
56	717-0299	1	S	Worm Gear - L.H. Double Thd.
57	741-0217	1	S	Sleeve Brg. .875" I.D.
58	717-0298	1	S	Gear Hsg. Half - R.H.
59	710-0528	1	/P/F	Hex Bolt 5/16-18 x 1.25" Lg.
60	710-0376	1	/P/F	Hex Bolt 5/16 x 1" Lg.
61	710-0412	1	/P	Hex Bolt 1/4-28 x .75" Lg.
62	784-5075	1		Gear Hsg. Support Plate
63	721-0144	1	S	Cork & Rubber Gasket
64	721-0145	1	S	Oil Seal for .875" I.D. Garlock
65	714-0126	1	S	#9 Hi-Pro Key 3/16" x 3/4" Dia. - H.T.
66	712-0291	1	S	Hex L-Nut 1/4-20 Thd.
68	05598	1	S	Shave Plate
69	710-0276	1	/P	Carr-Bolt 5/16-18 x 1" Lg.
72	736-0142	1	S	FI-Wash. .281" I.D. x .5" O.D. x .063"
73	05139	1	S	Guide Blade
75	710-0726	1	/P	Hex AB-Tap Scr. 5/16 x .75" Lg.
76	784-5123	1	S	Chute Crank Brkt.
77	710-0451	1	/P	Carr. Bolt 5/16-18 x .75" Lg.
78	712-0116	1	S	Hex Nut 3/8-24 Thd.
79	736-0169	1	S/F	L-Wash. 3/8" I.D.
80	731-0851	1	S	Chute Flange Keeper
81	712-0107	1	S	Hex L-Nut 1/4-20 Thd.
82	731-0843	1	S	Lower Chute
84	738-0561	1	S	Shld. Nut 1/4-20 Thd.
85	712-0158	1	S	Hex L-Nut 5/16-18 Thd.
86	09966	1	S	Hand Knob
88	731-0846B	1	S	Upper Chute
?89	710-0276	1	/P	Carr. Bolt 5/16-18 x 1" Lg.
90	710-0323	1	/P	Truss Mach. Scr. 5/16-18 x .75" Lg.
91	710-0286	1	/P	Truss Mach. Scr. 1/4-20 x .5" Lg.
92	736-0231	1	S	FI-Wash. .344" I.D. x 1.125" O.D. x .125"
95	717-0871	1	S	Gear Box Ass'y. Complete
96		1		UNKNOWN



190-831-190 45" Snow Thrower (1992)  
Attachment Plate, Deck Lift Link & Weight Box Ass'y

Page 5 of 6

Ref #	Part Number	Qty	S/P/F	Description
1	710-0772	1	/P	Hex Bolt 5/16-18 x 2" Lg.
2	711-0793	1		Clevis Pin Spec. 3/8" Dia. x 2.62" Lg.
3	714-0101	1	S	Intern. Cot. Pin
?4	736-0329	1	S/F	L-Wash. 1/4" I.D.
5	712-0138	1	S	Hex Nut 1/4-28 Thd.
6	710-0591	1	/P	Hex L-Scr. 3/8-24 x 1.0" Lg.
7	710-0756	1	F	Hex Bolt 3/8-16 x 2.25" Lg.
8	736-0169	1	S/F	L-Wash. 3/8" I.D.
10	756-0438	1	S	5/8" "V"-Pulley .79" I.D. x .65" O.D.
11	754-0229	1	S	"V"-Belt
12	711-0747	1	S	Belt Guard Pin
13	756-0405	1	/P	FI-Idler 3.75" O.D.
14	711-0369	1	S	Spacer .385" I.D. x .63" O.D. x .76"
15	710-0624	1	/P	Hex Bolt 5/16-24 x 1.50
16	15296	1	S	Open Brg. Hsg.
	15297	1	S	Open Brg. Hsg. (Incl. Ref. 70)
17	784-5146	1	S	Carr. Brkt.
18	741-0919	1	S	Ball Brg. .787" I.D.
19	750-0456	1	S	Spacer .8" I.D. x 1" O.D.
20	784-5148A	1	S	Guide Brkt. Ass'y.
21	784-5227	1		Belt Cover Ass'y.
22	784-5230	1		Belt Cover Brkt.
23		1		UNKNOWN
24	712-0798	1	/P	Hex Jam Nut 3/8-16 Thd.
25	711-0231	1	S	Clevis Pin .50" Dia. x 1.75" Lg.
26	741-0163	1	S	Brg. Hsg. Ass'y. (Incl. Ref. 96)
27	750-0660	1	S	Spacer .8" I.D. x 1" O.D. x .125"
28	714-0161	1	S	Woodruff Key 3/16" x 5/8" HT
29	732-0492	1		Extension Spr. 6.44" Lg.
30	710-0600	1	/P	Hex Wash. HD-Tap Scr. 5/16-18 x .50
31	710-0591	1	/P	Hex L-Scr. 3/8-24 x 1.0" Lg.
33	754-0295	1	S	"V"-Belt
34	750-0668	1		Spacer .39" I.D. x .62" O.D. x 1.74" Lg.
35	756-0487	1	/P	V-Idler Pulley
36	784-5204	1		Rear Hanger Brkt. - R.H.
37	784-5203	1	S	Rear Hanger Brkt. - L.H.
38	710-0786	1	/P	Hex Bolt 1/2-13 x 4.0" Lg.
39	756-0474	1		5/8" "V"-Pulley 7.5" O.D.
40	736-0921	1	S/F	L-Wash. 1/2" I.D.
41	712-0206	1	S	Hex Nut 1/2-13 Thd.
42	756-0438	1	S	5/8" "V"-Pulley
43		1		UNKNOWN
44	738-0347	1	S	Shld. Spacer
45	736-0247	1	/P	FI-Wash. .4" I.D. x 1.25" O.D. x .16"
46	710-0528	1	/P	Hex Bolt 5/16-18 x 1.25" Lg.
47	736-0242	1	/P	Bell-Wash. .345" I.D. x .88" O.D. x .06"
48		1		UNKNOWN
49	712-0267	1	S/F	Hex Nut 5/16-18 Thd.
50	717-0870	1		Comp. Chain Gear Box Ass'y.
51	05607	1		Gear Box Support Brkt.
52	732-0491	1		Exten. Spring .6" Lg.
53	710-0316	1		Hex Bolt 3/8-16 x 3.5" Lg.
54	784-5200			

190-831-190 45" Snow Thrower (1992)  
Attachment Plate, Deck Lift Link & Weight Box Ass'y

Page 6 of 6

Ref #	Part Number	Qty	S/P/F	Description
55	784-5211	1	S	Idler Support Brkt.
56	736-0119	1	S/F	L-Wash. 5/16" I.D.
57	712-0116	1	S	Hex Nut 3/8-24 Thd.
59	710-0182	1	/P	Hex Bolt 1/2-13 x 3" Lg.
60	784-5573	1		Sq. Tubing 43" Lg.
61	721-0158	1		Gasket
62	710-0521	1	/P	Hex Bolt 3/8-16 x 3" Lg.
63	738-0680	1	S	Shaft - .787" Dia. x 3.81" Lg.
64	710-0830	1		Hex Bolt 3/8-24 x 3" Lg.
65	712-0266	1	S	Hex L-Nut 3/8-16 Thd.
67	736-0175	1	S	Wave Spring Wash. .27" I.D. x .51" O.D. x .03"
68	717-0359	1		Complete Gear Hsg. Half - L.H.
69	741-0131	1	S	Ball Brg. 1" I.D. x 2" O.D.
70	713-0346	1		11-2 x .5 Pitch Sprocket Shaft Ass'y.
71	750-0612	1		Spacer 1" I.D. x 1.18" O.D. x .44"
72	717-0360	1		Comp. Gear Hsg. Half - R.H.
73	710-0299	1		Hex Bolt 1/4-28 x 1" Lg.
74	710-0591	1	/P	Hex L-Scr. 3/8-24 x 1" Lg.
76	721-0117	1	S	Oil Seal 1.25" I.D.
77	748-0194	1	/P	Flange Brg. 1.25" I.D.
78	736-0246	1	/P	FI-Wash. 1.25" I.D. x 2" O.D. x .036"
79	713-0348	1		DBL Sprocket 19-2 Teeth x .5" Pitch
80	716-0116	1	/P	Snap Ring for 1.25" Dia. Shaft
81	738-0677	1		Gear Shaft 1.25 Dia. x 6" Lg.
82	714-0113	1	/P	Hi-Pro Key 1/4" x 7/8"
83	713-0349	1		40-2 Chain 1/2" Pitch x 25 Links
83	713-0152	1	S	Master Link #40 Type IV
84	712-0123	1	/P/F	Hex Nut 5/16-24 Thd.
85	750-0535	1	S	Spacer .380" I.D. x .625" O.D. x .227"
86	736-0272	1	S	FI-Wash. .53" I.D. x 1" O.D. x .06"
87	736-0116	1	S	FI-Wash. .62" I.D. x .93" O.D.
88	784-5199	1	S	Attaching Plate (46" Decks)
89	784-5202	1	S	Attaching Plate (All Other Units)
90	14088	1	S	Spindle Spacer
91	712-0107	1	S	Hex L-Nut 1/4-20 Thd.
92	710-0514	1	/P	Hex Bolt 3/16 x 1" Lg.
93	784-5147	1		Weight Box Ass'y.
94	711-0332	1	S	Lift Brkt. Pin
95	732-0388	1	S	Extension Spring
97	16398	1		Deck Lift Link Ass'y.